

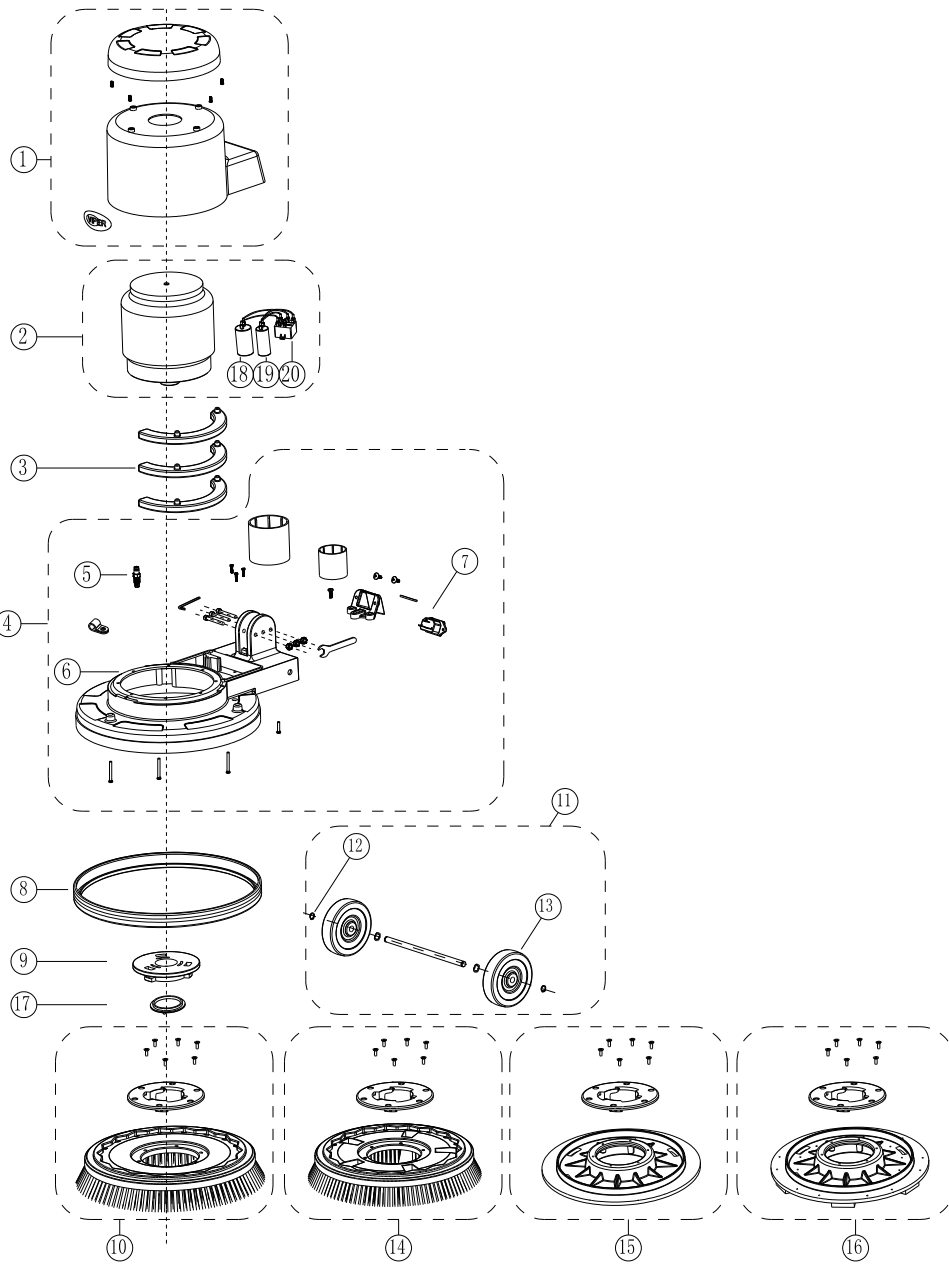
PARTS LIST VIPER LS160, LS160HD



2017.06.14

TABLE OF CONTENTS

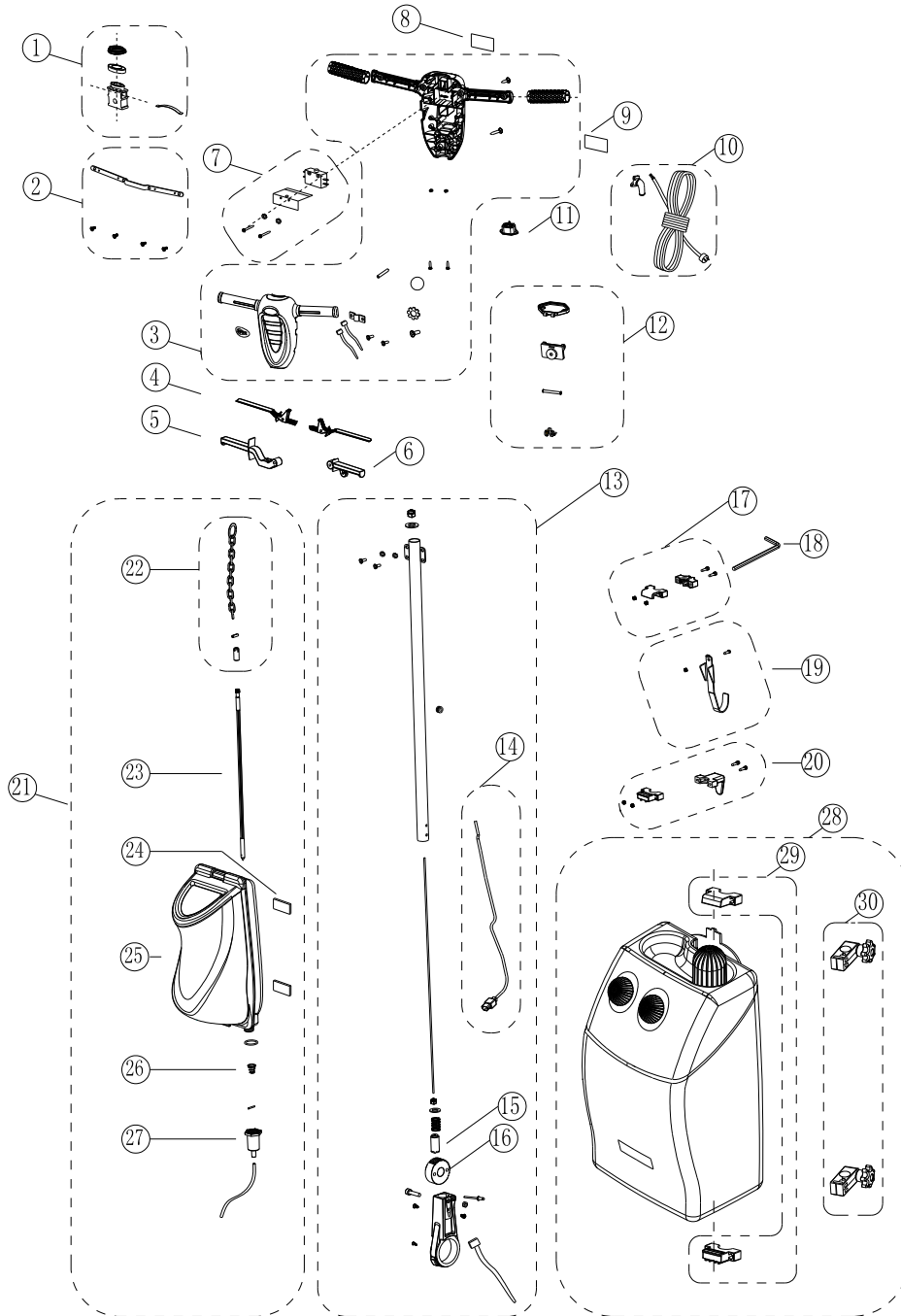
BASE ASSEMBLY	1
HANDLE ASSEMBLY	3
DUST COLLECTION	5
WIRING DIAGRAM / WEAR AND TEAR PART	7



No.	Part No.	Qty.	Description	Part Note
1	VF75431	1	MOTOR HOUSING KIT	[1]
1	VF75431R	1	MOTOR HOUSING KIT	[2]
2	VF75209	1	MOTOR 1300W	[1]
2	VF75212	1	MOTOR 1800W	[2]
3		1	WEIGHT, LS160	[1]
3	VF75215	3	WEIGHT	[2]
4	VF75432	1	MAIN FRAME KIT	[1]
4	VF75433	1	MAIN FRAME KIT	[2]
5	VF75307	1	HOSE CONNECTING	
6	VF75201	1	BASE	[1]
6	VF75201N	1	BASE	[2]
7	VF75219	1	PLUG ASSEMBLY	
8	VF75202	1	BUMPER	
9	VF75206	1	CONNECTING PLATE	
10	VF75434	1	BRUSH KIT	
11	VF75435	1	TRANSPORT WHEEL KIT	
12	VF13520	2	RETAINING RING EXTERNAL f12	
13	VF75214	2	WHEEL	
14	VF75420	1	CARPET BRUSH KIT	[3]
15	VF75421	1	PAD DRIVER	[3]
16	VF75249	1	16INCH DISC HOLDER FOR LS160HD	
17	VF75223	1	CAP	
18	VF75209-2	1	STARTING CAPACITOR LS160	[4]
18	VF75212-2	1	STARTING CAPACITOR LS160HD	[5]
19	VF75209-1	1	RUNNING CAPACITOR LS160	[4]
19	VF75212-1	1	RUNNING CAPACITOR LS160HD	[5]
20	VF89041-3	1	RELAY FLA 16A 277V 50HZ/RES 35A 277V	

Part Notes:

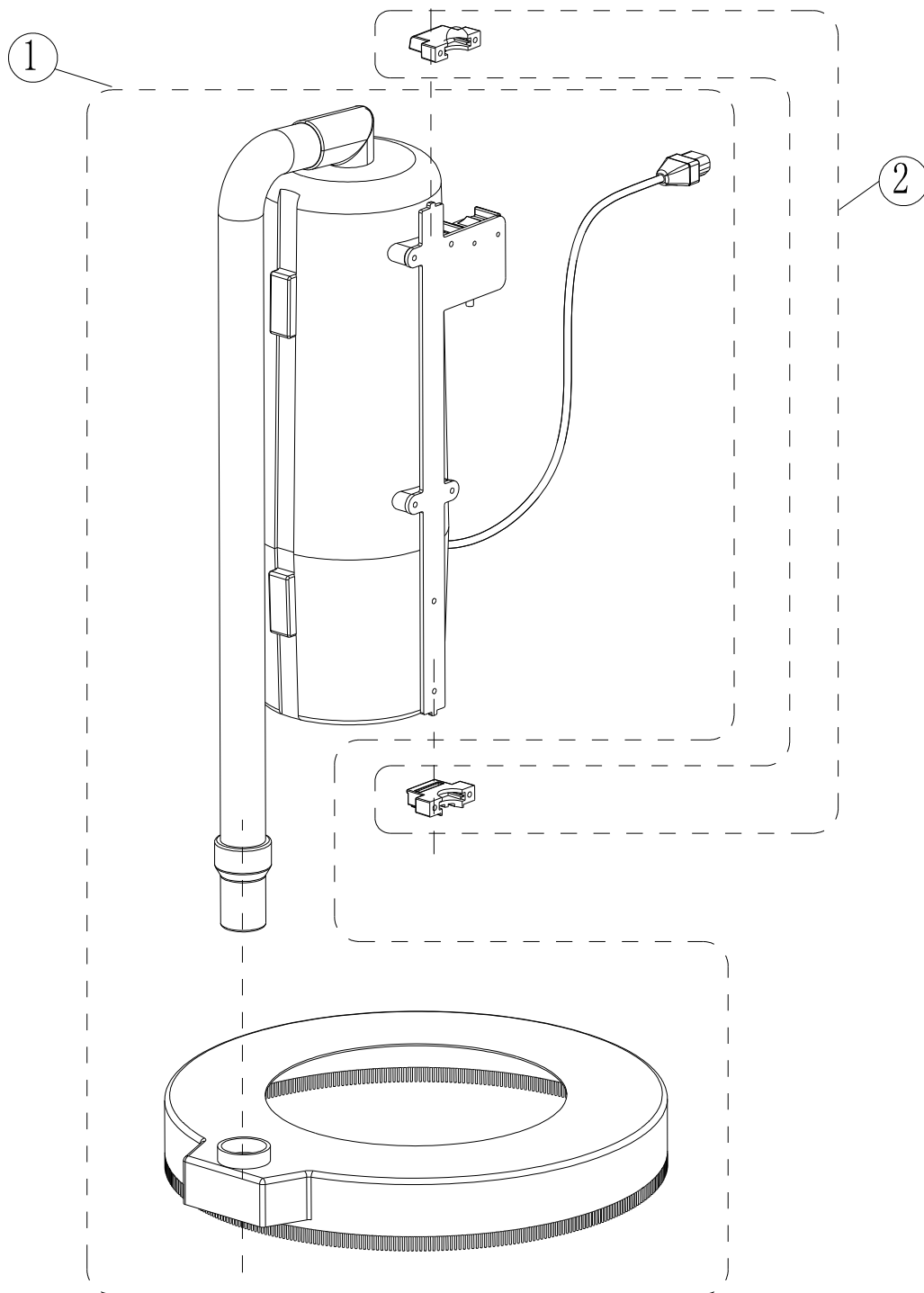
- [1] - LS160
- [2] - LS160HD
- [3] - OPTIONAL
- [4] - GUARANTEE DATE EXPIRED
LS160
- [5] - GUARANTEE DATE EXPIRED
LS160HD



No.	Part No.	Qty.	Description	Part Note
1	VF75436	1	SAFETY LOCK BUTTON KIT	
2		1	SUPPORT BRACKET KIT, LS160	[1]
2	VF75437	1	SUPPORT BRACKET KIT	[2]
3	VF75438	1	LS160 HANDLE HOUSING KIT	[1]
3	VF75439	1	HANDLE HOUSING KIT	[2]
4	VF75103	2	SWITCH TRIGGER	
5	VF75105	1	LEVELING ROD	
6	VF75106	1	LEVER SOLUTION	
7	VF75440	1	SWITCH KIT	
8	VF75135-13-EU	1	1300W EU LABEL	[3]
8	VF75135-13-UK	1	1300W UK LABEL	[3]
8	VF75135-18-EU	1	1800W EU LABEL	[2]
8	VF75135-18-UK	1	1800W UK LABEL	[2]
9	VF75141	1	POWER LABEL 1800W UK	[4]
9	VF75142	1	POWER LABEL	
10	VF75126-EU	1	POWER CORD	
10	VF75126-UK	1	POWER CORD	
11	VF75122	1	PLUG ASSEMBLY	
12	VF75411	1	SOCKET COVER KIT	
13	VF75412	1	TUBE KIT	
14	VF75138	1	POWER CORD	
15	VF75111	1	INSERT	
16	VF75112	1	GEAR	
17	VF75413	1	TOP BRACKET KIT	
18	VF75315	1	WRENCH	
19	VF75417	1	HOOK KIT	
20	VF75414	1	BOTTOM BRACKET KIT	
21	VF75415	1	TANK KIT	
22	VF75416	1	CHAIN ASSEMBLY	
23	VF75306	2	PULL ROD	
24	VF75322	1	EVA PLATE	
25	VF75117	1	TANK	
26	VF75310	1	SPRING	
27	VF75305	1	VALVE BODY	
28	50000055	1	FOAM GENERATOR DF-100A	
29	VF75418	1	BRACKET KIT FOR LS160	
30	VF75419	1	BRACKET KIT FOR VE17	

Part Notes:

- [1] - LS160
TSB 2016-001 LS160 Handle improvement
- [2] - LS160HD
- [3] - LS160
- [4] - LS160HD-UK



DUST COLLECTION

LS160

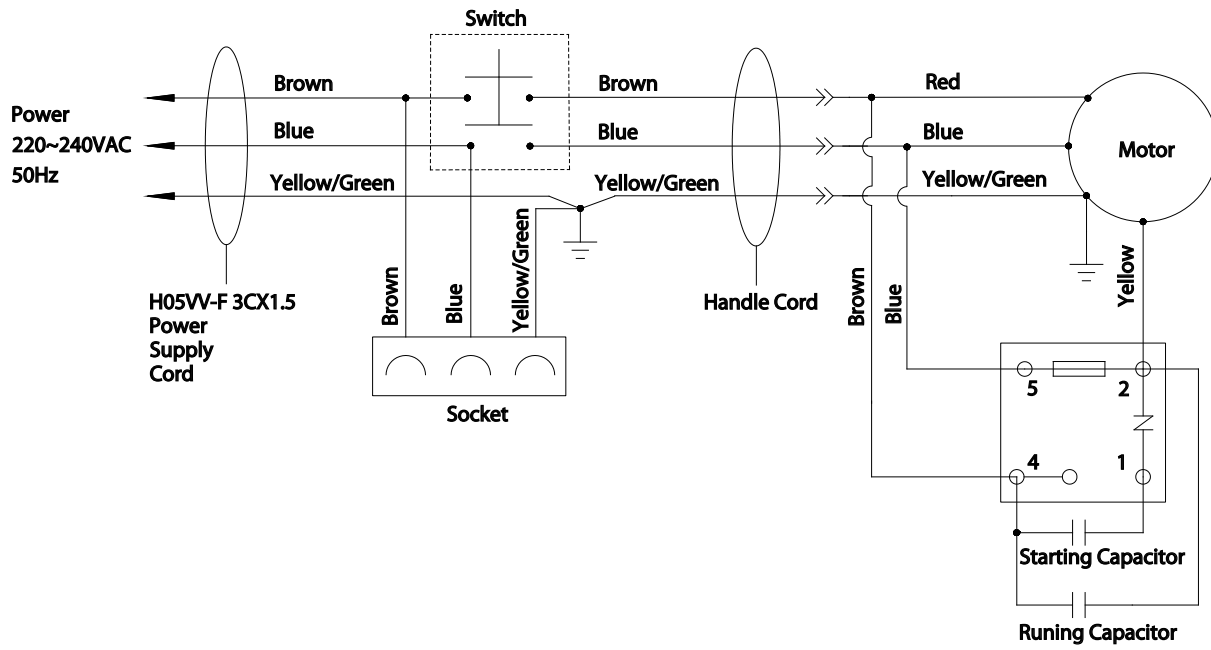
2015.05.19

2014.01.08

No.	Part No.	Qty.	Description	Part Note
1	56381571	1	DUST COLLECTION KIT	[1]
2	VF75418	1	BRACKET KIT FOR LS160	

Part Notes:

[1] - MACHINE OBSOLETE



No.	Part No.	Qty.	Description	Part Note
1	VF75434	1	BRUSH KIT	
2	VF75214	2	WHEEL	
3	VF75206	1	CONNECTING PLATE	
4	VF75103	2	SWITCH TRIGGER	
5	VF75105	1	LEVELING ROD	
6	VF75106	1	LEVER SOLUTION	
7	VF75306	1	PULL ROD	
8	VF75413	1	TOP BRACKET KIT	
9	VF75414	1	BOTTOM BRACKET KIT	

